

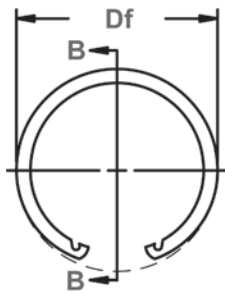


# UHO Anillos

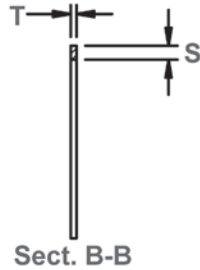
## Sección Constante

### Anillo Chasqueado, Interno Muescado, en pulgadas

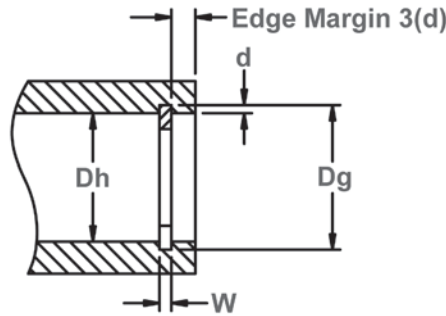
Una vez instalado en la ranura de una carcasa/agujero, la parte del anillo que sobresale de la ranura tiene un montaje en su lugar.



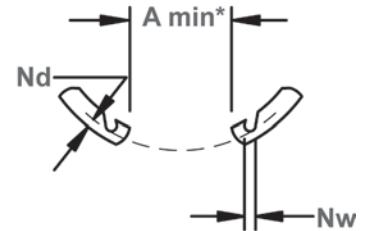
Diámetro libre y medidas del anillo con sección B-B



Sect. B-B



Diámetro de la carcasa y dimensiones de la ranura



\*Anillo instalado en la ranura

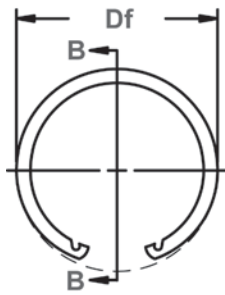
Material SAE 1060-1075

TAMAÑO DEL ANILLO	DIÁMETRO DE LA CARCASA			TAMAÑO DE RANURA			DIMENSIONES DEL ANILLO						CARGA DE EMPUJE ESTÁTICA ADMISIBLE (Lbs.)			
	Dh DEC	Dh FRACT.	Dh mm	Dg	TOL.	ANCHURA W	PROFUNDIDAD d	DIÁMETRO LIBRE			THICKNESS T +/- .002	ESPESOR S +/- .005		SEPARACIÓN LIBRE A Min*	NOTCH DIMENSIONS	
								Df	TOL.	Df					DEPTH Nd +0/- .030	WIDTH Nw REF
UHO-175	1.750	1-3/4	44.4	1.858	+/- .005	.068	.054	1.878	+ .070	.062	.156	.370	.078	.093	4100	
UHO-181	1.812	1-13/16	46.0	1.922			.055	1.942		.062	.156	.370	.078	.093	4280	
UHO-185	1.850	-	47.0	1.962			.056	1.982		.062	.156	.370	.078	.093	4380	
UHO-187	1.875	1-7/8	47.6	1.989			.057	2.014		.062	.156	.400	.078	.093	4650	
UHO-193	1.938	1-15/16	49.2	2.056			.059	2.081		.062	.156	.400	.078	.093	5000	
UHO-200	2.000	2	50.8	2.122			.061	2.147		.062	.156	.420	.078	.093	5350	
UHO-206	2.047	-	52.0	2.171			.062	2.201		.062	.156	.420	.078	.093	6490	
UHO-206	2.062	2-1/16	52.4	2.186			.062	2.201		.062	.156	.420	.078	.093	6490	
UHO-212	2.125	2-1/8	54.0	2.251			.063	2.271		.062	.156	.420	.078	.093	6810	
UHO-218	2.165	-	55.0	2.295			.065	2.338		.062	.156	.420	.078	.093	7240	
UHO-218	2.188	2-3/16	55.6	2.318	.065	2.338	.062	.156	.420	.078	.093	7240				
UHO-225	2.250	2-1/4	57.1	2.382	.066	2.402	.062	.156	.420	.078	.093	7560				
UHO-231	2.312	2-5/16	58.7	2.450	.069	2.470	.062	.156	.420	.078	.093	8120				
UHO-237	2.375	2-3/8	60.3	2.517	.071	2.537	.062	.156	.420	.078	.093	8580				
UHO-244	2.440	2-7/16	62.0	2.584	.072	2.604	.062	.156	.420	.078	.093	8940				
UHO-250	2.500	2-1/2	63.5	2.648	.074	2.673	.062	.156	.420	.078	.093	9410				
UHO-253	2.531	2-17/32	64.3	2.681	.075	2.706	.062	.156	.420	.078	.093	9660				
UHO-256	2.562	2-9/16	65.1	2.714	.076	2.739	.062	.156	.420	.078	.093	9910				
UHO-262	2.625	2-5/8	66.7	2.781	.078	2.806	.062	.156	.420	.078	.093	10420				
UHO-268	2.677	-	68.0	2.837	.08	2.868	.062	.156	.420	.078	.093	10900				
UHO-268	2.688	2-11/16	68.3	2.848	.08	2.868	.062	.156	.420	.078	.093	10900				
UHO-275	2.750	2-3/4	69.8	2.914	.082	2.944	.062	.156	.420	.078	.093	11470				
UHO-281	2.812	2-13/16	71.4	2.980	.084	3.025	.062	.156	.420	.078	.093	12200				
UHO-281	2.835	-	72.0	3.005	.085	3.025	.062	.156	.420	.078	.093	12200				
UHO-287	2.875	2-7/8	73.0	3.051	.088	3.086	.062	.156	.420	.078	.093	12870				
UHO-295	2.953	-	75.0	3.135	.091	3.175	.062	.156	.420	.078	.093	13480				
UHO-300	3.000	3	76.2	3.182	.091	3.222	.062	.156	.420	.078	.093	13890				
UHO-306	3.062	3-1/16	77.8	3.248	.093	3.288	.062	.156	.420	.078	.093	14490				
UHO-312	3.125	3-1/8	79.4	3.315	.095	3.353	.062	.156	.420	.078	.093	15110				
UHO-315	3.149	-	80.0	3.341	.096	3.388	.062	.156	.420	.078	.093	15420				
UHO-315	3.156	3-5/32	80.2	3.348	.096	3.388	.062	.156	.420	.078	.093	15420				
UHO-325	3.250	3-1/4	82.5	3.446	.098	3.488	.062	.156	.420	.078	.093	16210				
UHO-334	3.346	3-11/32	85.0	3.546	.1	3.590	.062	.156	.420	.078	.093	17030				
UHO-347	3.469	3-15/32	88.1	3.675	.103	3.721	.062	.156	.420	.078	.093	18190				
UHO-350	3.500	3-1/2	88.9	3.710	.105	3.760	.062	.156	.420	.078	.093	18700				
UHO-354	3.543	-	90.0	3.755	.106	3.805	.062	.156	.420	.078	.093	19400				
UHO-354	3.562	3-9/16	90.5	3.776	.107	3.805	.062	.156	.420	.078	.093	19400				

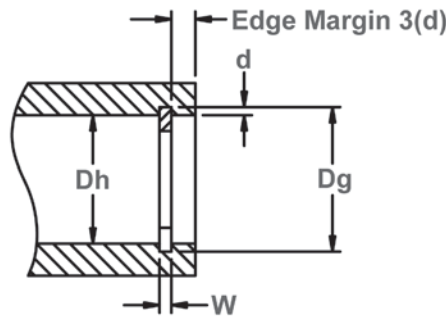
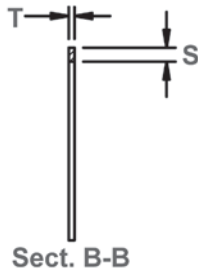
\*Instalado en la ranura

Para los estilos de corte alternativos, póngase en contacto con Ventas Técnicas Rotor Clip al 1-800-557-6867 (E-mail: tech@rotorclip.com)

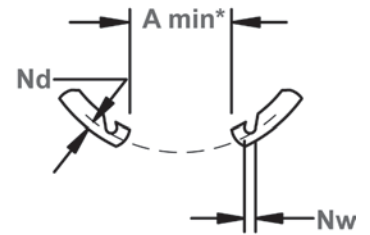




Diámetro libre y medidas del anillo con sección B-B



Diámetro de la carcasa y dimensiones de la ranura



\*Anillo instalado en la ranura

Material SAE 1060-1075

TAMAÑO DEL ANILLO	DIÁMETRO DE LA CARCASA			TAMAÑO DE RANURA			DIMENSIONES DEL ANILLO							CARGA DE EMPUJE ESTÁTICA ADMISIBLE (Lbs.)				
	Dh DEC	Dh FRACT.	Dh mm	Dg	TOL.	ANCHURA W	PROFUNDIDAD d	DIÁMETRO LIBRE		THICKNESS T +/- .002	ESPESOR S +/- .005	SEPARACION LIBRE A Min*	NOTCH DIMENSIONS					
								Df	TOL.				DEPTH Nd +0/- .030		WIDTH Nw REF			
UHO-362	3.625	3-5/8	92.1	3.841	+/- .006	.120 +.005 -.000	.108	3.895	+.100 -.000	.109	.234	.740	.120	.125	19930			
UHO-375	3.740	-	95.0	3.964			.112	4.030		.109	.250	.740	.125	.125	21380			
UHO-375	3.750	3-3/4	95.2	3.974			.112	4.030		.109	.250	.780	.125	.125	21380			
UHO-387	3.875	3-7/8	98.4	4.107			.116	4.165		.109	.250	.780	.125	.125	22880			
UHO-393	3.938	3-15/16	100.0	4.174			.118	4.234		.109	.250	.810	.125	.125	23650			
UHO-400	4.000	4	101.6	4.240			.12	4.300		.109	.250	.810	.125	.125	24430			
UHO-412	4.125	4-1/8	104.8	4.365			.12	4.430		.109	.250	.810	.125	.125	25190			
UHO-425	4.250	4-1/4	108.0	4.490			.12	4.555		.109	.250	.810	.125	.125	25960			
UHO-433	4.331	-	110.0	4.571			.12	4.641		.109	.250	.810	.125	.125	26450			
UHO-450	4.500	4-1/2	114.3	4.740			.12	4.815		.109	.281	.840	.140	.156	27490			
UHO-462	4.625	4-5/8	117.5	4.865			.120	4.940		.109	.281	.840	.140	.156	28250			
UHO-475	4.724	-	120.0	4.969			.122	5.070		.109	.281	.840	.140	.156	29000			
UHO-475	4.750	4-3/4	120.6	4.995			.122	5.070		.109	.281	.910	.140	.156	29000			
UHO-500	5.000	5	127.0	5.260			.130	5.340		.109	.281	.930	.140	.156	33100			
UHO-525	5.250	5-1/4	133.3	5.520	+/- .007	.139 +.006 -.000	.135	5.600	+.120 -.000	.125	.312	1.000	.156	.156	36070			
UHO-537	5.375	5-3/8	136.5	5.650			.135	5.735		.125	.312	1.000	.156	.156	36930			
UHO-550	5.500	5-1/2	139.7	5.770			.135	5.860		.125	.312	1.000	.156	.156	37790			
UHO-575	5.750	5-3/4	146.0	6.020			.135	6.120		.125	.312	1.000	.156	.156	39500			
UHO-600	6.000	6	152.4	6.270			.135	6.380		.125	.312	1.000	.156	.156	41220			
UHO-625	6.250	6-1/4	158.7	6.530			.140	6.640		.156	.343	1.030	.171	.156	44530			
UHO-650	6.500	6-1/2	165.1	6.790			+/- .008	.174 +.008 -.000		.145	6.905	+.150 -.000	.156	.343	1.090	.171	.156	47970
UHO-662	6.625	6-5/8	168.3	6.925						.150	7.045		.156	.343	1.120	.171	.156	50580
UHO-675	6.750	6-3/4	171.4	7.055						.152	7.180		.156	.343	1.130	.171	.156	52220
UHO-700	7.000	7	177.8	7.315						.157	7.445		.156	.343	1.140	.171	.156	55930
UHO-725	7.250	7-1/4	184.1	7.575	.162	7.705			+.180 -.000	.187	.375		1.140	.187	.187	59700		
UHO-750	7.500	7-1/2	190.5	7.840	.170	7.975				.187	.375		1.150	.187	.187	64900		
UHO-775	7.750	7-3/4	196.8	8.100	.175	8.240				.187	.375		1.160	.187	.187	68700		
UHO-800	8.000	8	203.2	8.360	.180	8.505				+.220 -.000	.187		.437	1.200	.218	.187	72900	
UHO-825	8.250	8-1/4	209.5	8.620	.185	8.770					.187		.437	1.230	.218	.187	77600	
UHO-850	8.500	8-1/2	215.9	8.880	.190	9.035					.187		.437	1.270	.218	.187	81800	
UHO-875	8.750	8-3/4	222.2	9.144	.197	9.305	.187	.437			1.320	.218	.187	87300				
UHO-900	9.000	9	228.6	9.404	.202	9.564	+.220 -.000	.187			.437	1.370	.218	.187	92400			
UHO-925	9.250	9-1/4	235.0	9.668	.209	9.833		.187			.500	1.400	.250	.187	98000			
UHO-950	9.500	9-1/2	241.3	9.930	.215	10.100		.187			.500	1.500	.250	.187	103900			
UHO-975	9.750	9-3/4	247.7	10.190	.22	10.365		.187	.500		1.620	.250	.187	10900				
UHO-1000	10.000	10	254.0	10.450	.225	10.630		.187	.500		1.750	.250	.187	114600				

\*Instalado en la ranura

